**SPÉCIFICATIONS:**

Dimension	Description	Specification
D1	Internal Diameter	571.5±2 mm
D2	External Diameter	585±3 mm
D3	Diameter over Chimb	583±3 mm
H1	Total Drum Height	888±3 mm
h2	Depth of Top	18±2 mm
h3	Clearance from floor	4 mm
h4	Distance between beads	280±3 mm
p1	Center-to center distance closures	451±1 mm



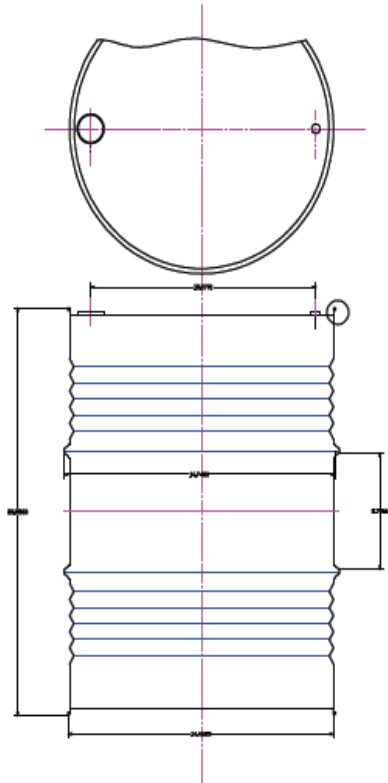
200 /210 Liter nominal capacity barrel made from 1.25mm (18G) x 1.25mm (18G) or 1.00mm (20G) x 1.00mm (20G) nominal thickness GP sheets.

Body Seam: Electrically resistance welded.

Ends Seam: Triple seamed incorporating imported seaming compound.

Top End: Fitted with one 50 mm (2") & one 20 mm (3/4") closures.

Body: Provided with 2 expanded rolling hoops.

**SPÉCIFICATIONS:**

Dimension	Description	Specification
D1	Internal Diameter	571.5±2 mm
D2	External Diameter	585±3 mm
D3	Diameter over Chimb	583±3 mm
H1	Total Drum Height	888±3 mm
h2	Depth of Top	18±2 mm
h3	Clearance from floor	4 mm
h4	Distance between beads	280±3 mm
p1	Center-to-center distance-closures	451±1 mm

Balmer Lawrie



200 /210 Liter nominal capacity barrel made from 1.25mm (18G) x 1.25mm (18G) or 1.00mm (20G) x 1.00mm (20G) nominal thickness GP sheets.

Body Seam: Electrically resistance welded.

Ends Seam: Triple seamed incorporating imported seaming compound.

Top End: Fitted with one 50 mm (2") & one 20 mm (3/4") closures.

Body: Provided with 2 expanded rolling hoops and corrugation.