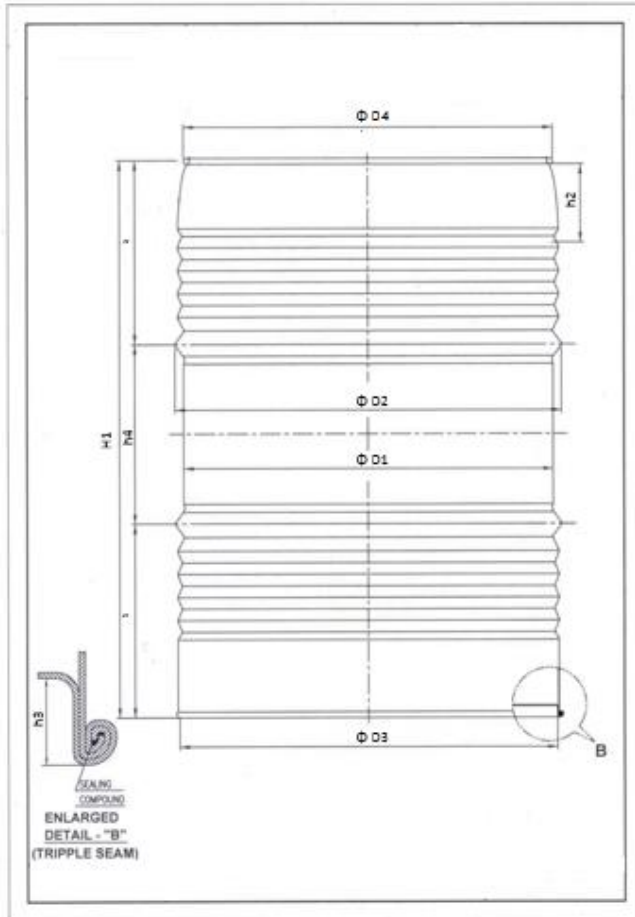


SPÉCIFICATIONS:

Dimension	Description	Value
D1	Internal Diameter	571.5 ± 2 mm
D2	Diameter over the bead	585 mm (max)
D3	Diameter over the chime	585 mm (max)
D4	External Diameter at the mouth	574 ± 2 mm (585 mm max with locking ring)
H1	External height of the barrel (with locking ring)	872 ± 5 mm
h2	Height of neck	110 ± 3 mm (with corrugation) 150 ± 3 mm (without corrugation)
h3	Chime depth at bottom	16 mm (max)
h4	Distance between the beads	279 +5/-0 mm



200 /210 Liter nominal capacity barrel made from custom thickness mild steel CRCA sheets.
 Body Seam: Electrically resistance welded.
 Ends Seam: Triple seamed incorporating imported seaming compound.
 Top End: Fitted with one 50 mm (2") & one 20 mm (3/4") closures.
 Body: Provided with 2 expanded rolling hoops and multiple corrugation.
 External Finish: One coat of stoving enamel paint on the outside.

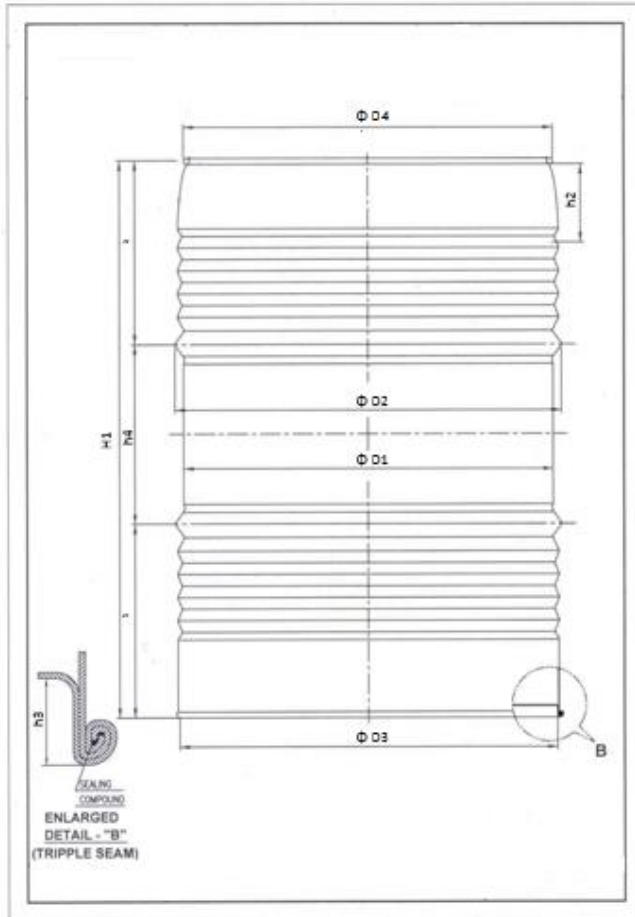


SPÉCIFICATIONS:

Dimension	Description	Value
D1	Internal Diameter	571.5 \pm 2 mm
D2	Diameter over the bead	585 mm (max)
D3	Diameter over the chime	585 mm (max)
D4	External Diameter at the mouth	574 \pm 2 mm (585 mm max with locking ring)
H1	External height of the barrel (with locking ring)	892 \pm 5 mm
h2	Height of neck	110 \pm 3 mm (with corrugation) 150 \pm 3 mm (without corrugation)
h3	Chime depth at bottom	16 mm (max)
h4	Distance between the beads	279 +5/-0 mm



235 Liter nominal capacity barrel made from custom thickness mild steel CRCA sheets.
 Body Seam: Electrically resistance welded.
 Ends Seam: Triple seamed incorporating imported seaming compound.
 Top End: Fitted with one 50 mm (2") & one 20 mm (3/4") closures.
 Body: Provided with 2 expanded rolling hoops and multiple corrugation.
 External Finish: One coat of stoving enamel paint on the outside.



SPÉCIFICATIONS:

Dimension	Description	Value
D1	Internal Diameter	571.5 ± 2 mm
D2	Diameter over the bead	585 mm (max)
D3	Diameter over the chime	585 mm (max)
D4	External Diameter at the mouth	574 ± 2 mm (585 mm max with locking ring)
H1	External height of the barrel (with locking ring)	1015 ± 5 mm
h2	Height of neck	150 ± 3 mm
h3	Chime depth at bottom	16 mm (max)
h4	Distance between the beads	279 +5/-0 mm



250 Liter nominal capacity barrel made from custom thickness mild steel CRCA sheets.
 Body Seam: Electrically resistance welded.
 Ends Seam: Triple seamed incorporating imported seaming compound.
 Top End: Fitted with one 50 mm (2") & one 20 mm (3/4") closures.
 Body: Provided with 2 expanded rolling hoops and multiple corrugation.
 External Finish: One coat of stoving enamel paint on the outside.