

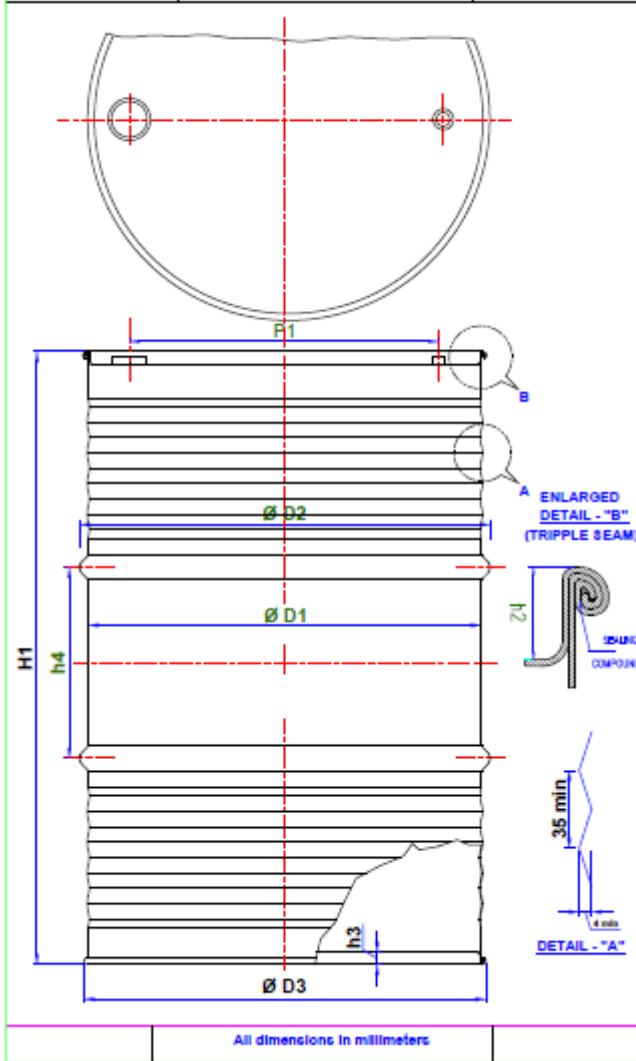
SPÉCIFICATIONS:

Dimension	Description	Type 2C	Type 2D
D1	Internal diameter	571.5 ± 2	571.5 ± 2
D2	External Diameter	585, Max	596, Max
D3	Diameter over chimb	585, Max	585, Max
H1	Total Drum height	878 ± 5	878 ± 5
h2	Depth of top	1)	1)
h3	Clearance from floor	4, Min	4, Min
h4	Distance between beads	280 ± 3	280 ± 3
p1	Center-to-center distance closures	451 ± 1	451 ± 1

1) The depth of the top shall be such that the clousures do not protude above the chime



200 /210 Liter nominal capacity barrel made from 1.25mm (18G) x 1.25mm (18G) nominal thickness mild steel CRCA sheets.
 Body Seam: Electrically resistance welded.
 Ends Seam: Triple seamed incorporating imported seaming compound.
 Top End: Fitted with one 50 mm (2") & one 20 mm (3/4") closures.
 Body: Provided with 2 expanded rolling hoops.
 External Finish: One coat of stoving enamel paint on the outside.



SPÉCIFICATIONS:

Dimension	Description	Type 2C	Type 2D
D1	Internal diameter	571.5 ± 2	571.5 ± 2
D2	External Diameter	585, Max	596, Max
D3	Diameter over chime	585, Max	585, Max
H1	Total Drum height	878 ± 5	878 ± 5
h2	Depth of top	1)	1)
h3	Clearance from floor	4, Min	4, Min
h4	Distance between beads	280 ± 3	280 ± 3
p1	Center-to-center distance closures	451 ± 1	451 ± 1

1) The depth of the top shall be such that the closures do not protrude above the chime

200 / 210 Liter nominal capacity barrel made from 1.00mm (20G) x 1.00mm (20G) nominal thickness mild steel CRCA sheets.

Body Seam: Electrically resistance welded.

Ends Seam: Triple seamed incorporating imported seaming compound.

Top End: Fitted with one 50 mm (2") & one 20 mm (3/4") closures.

Body: Provided with 2 expanded rolling hoops and corrugation.

External Finish: One coat of stoving enamel paint on the outside.